

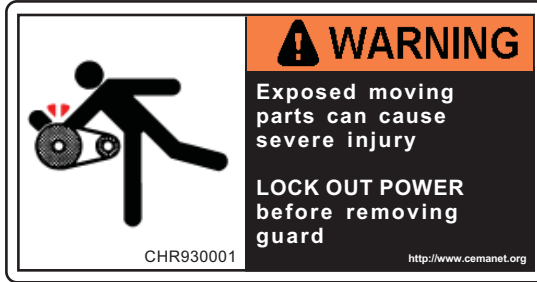
# CEMA Safety Label Placement Guidelines

## CEMA Safety Labels

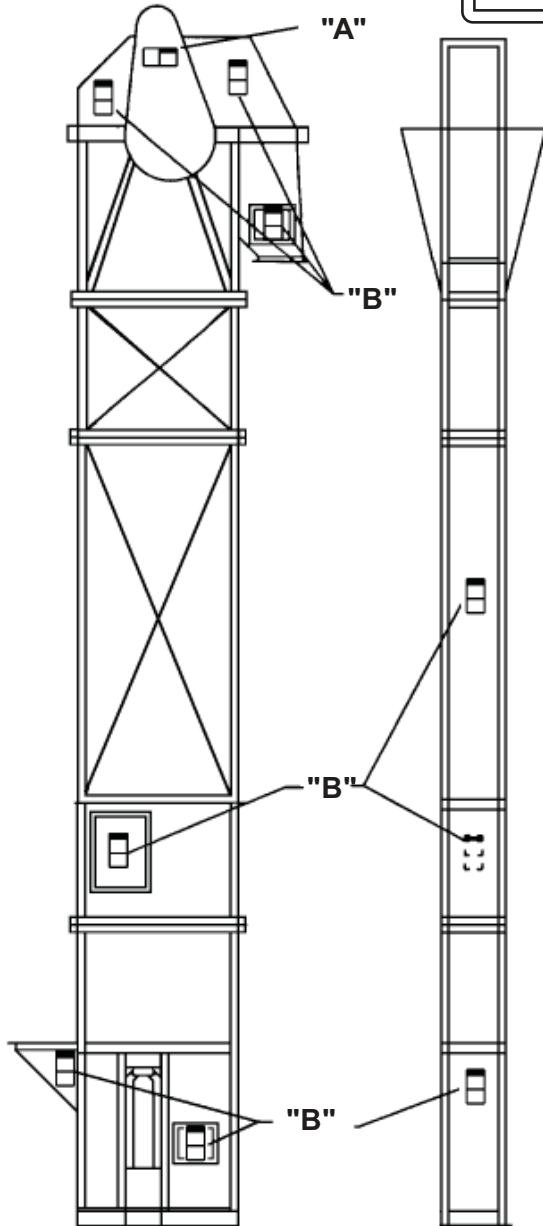
## Placement Guidelines

### Product: Bulk Handling Equipment

#### Equipment: Bucket Conveyors



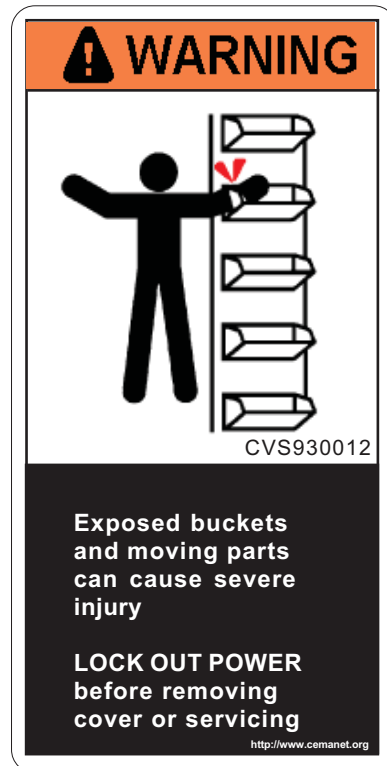
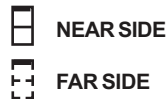
To be placed on removable guards to warn that operation of the machinery with guards removed would expose chains, belts, gears, shafts, pulleys, couplings, etc. which create hazards.



**"A"**

USE LABEL "A" ON BELT GUARD

USE LABEL "B" ON EACH SIDE OF INTAKE, ALL BOLTED PANELS AND INSPECTION DOORS, AND BOTH SIDES OF SPLIT HOOD.



To be placed on intakes, bolted guards and panels, hoods and doors of bucket conveyors to provide warning against exposing buckets and moving parts while in operation.

**"B"**

